



# ELITE Trimmers



Perfection in the vineyard



ERO ELITE Trimmers offer an exceptional range of equipment and options. The "L" and "Overrow" variants are available as single-sided or double-sided versions. The cutting elements all have their own, separate impact protection. The exceptionally robust construction continually withstands even the severest demands.

Choose the right cutters for your vineyard; there are seven different cutting lengths from 100 cm to 195 cm.

The Comfort Controller with joystick operation is standard equipment on the Elite Comfort models.



"L" single-sided



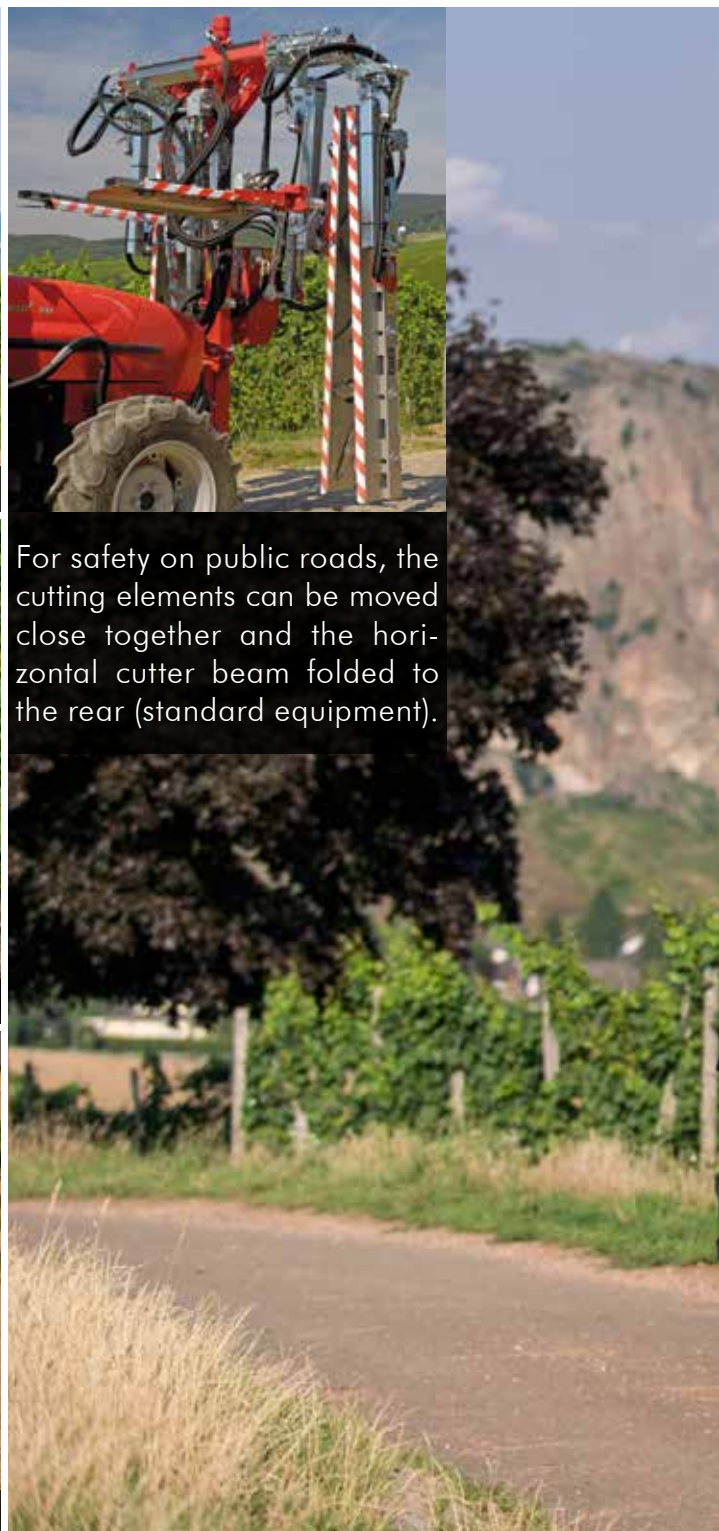
For safety on public roads, the cutting elements can be moved close together and the horizontal cutter beam folded to the rear (standard equipment).



Over-the-row single-sided



Over-the-row double-sided







"L" double-sided

economical | resistant | effective



compact | flexible | reliable



Should your trimmer be capable of doing everything you need of it? Then the ERO ELITE is exactly the right choice: With its stainless steel side pieces, it is both light and robust. Its comprehensive adjustments make it suitable for use with all training methods. It can be installed on narrow tractors, on plantation tractors or on standard tractors. It is equally suitable for the quick, trouble-free trimming of large areas with wide rows.



#### **Basic equipment:**

##### ■ Manual adjustments:

- Lateral shifting of cutters
- Lateral inclination of cutters (30°)
- Angle adjustment of the horizontal cutter beam (90°)
- Cutting height adjustment of the horizontal cutter beam (40 cm)
- Cutting width adjustment 10 cm - 85 cm (on overrow version)
- Cutting angle adjustment of vertical cutter beam
- Width adjustment (only for ELITE double-sided Comfort and double-sided Overrow Comfort)

##### ■ Impact protection on horizontal and vertical cutter beams by means of gas springs, automatic return

##### ■ Turboknives with anti-stick effect create suction and simultaneously repel wires

##### ■ Double-acting lift with internal cylinder and a choice of 500 mm or 800 mm stroke

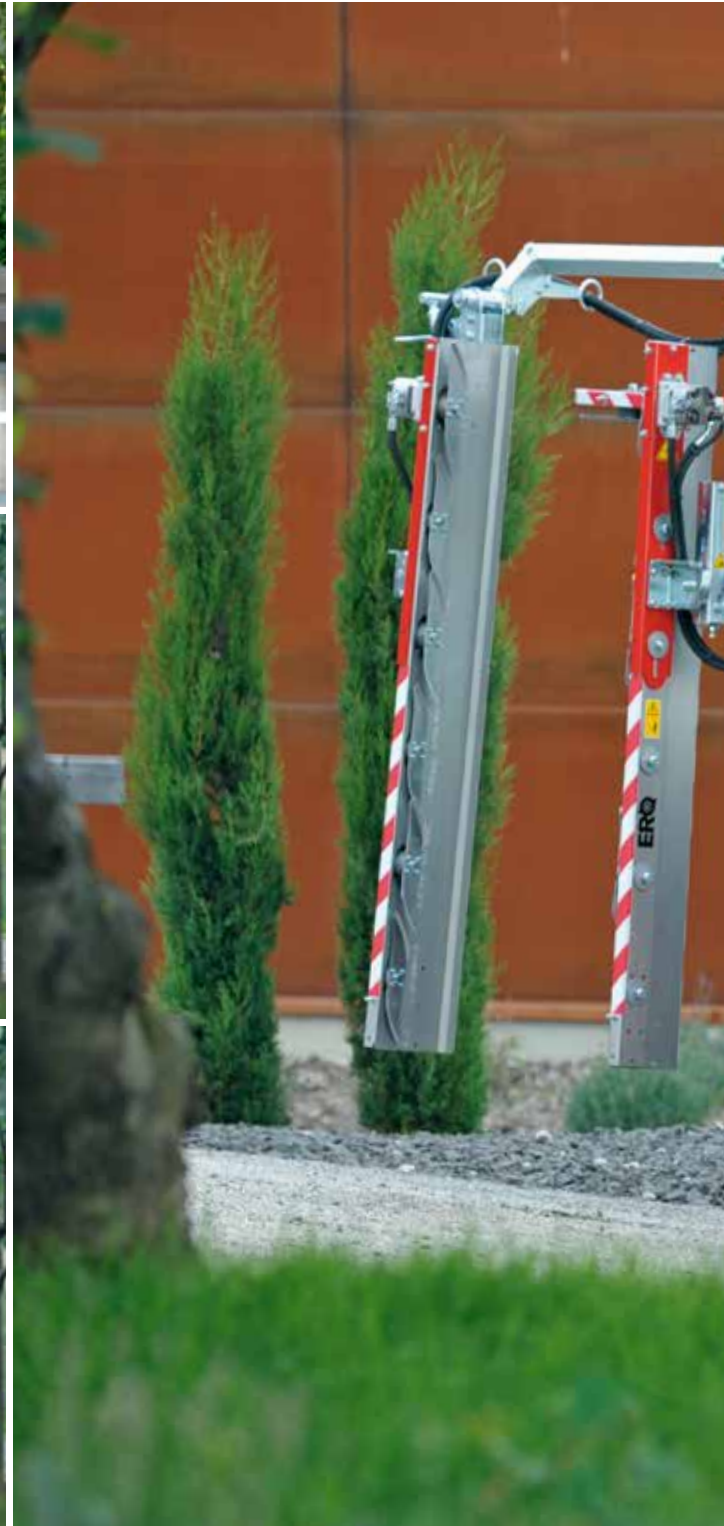
##### ■ Automatic hole centring for simple mounting – can be installed on any type of tractor

##### ■ Comfort Controller with joystick operation (only on ELITE Comfort)

##### ■ Depending on the model, storage frame with hydraulic height adjustment or parking foot (see Page 19, Equipment and Options)



A modern trimmer should provide optimum visibility, both of trimming and of the road – just like the ELITE Profi Line. With the standard Comfort Controller, operation of the comprehensive adjustments calls for just a single-acting control and a pressure-free return line on the tractor. The two cutter beams can be adjusted independently of each other for height, for inclination, and for lateral shift. This makes it easy to set up the trimmer for operation in terraced vineyards. The lift is always close to the row of vines, and the robust construction makes these machines very suitable for wide rows and large areas.







ELITE Profi Line

robust | flexible | long-lasting





ELITE Profi Line simple cordon over-the-row double-sided with shoot lifters

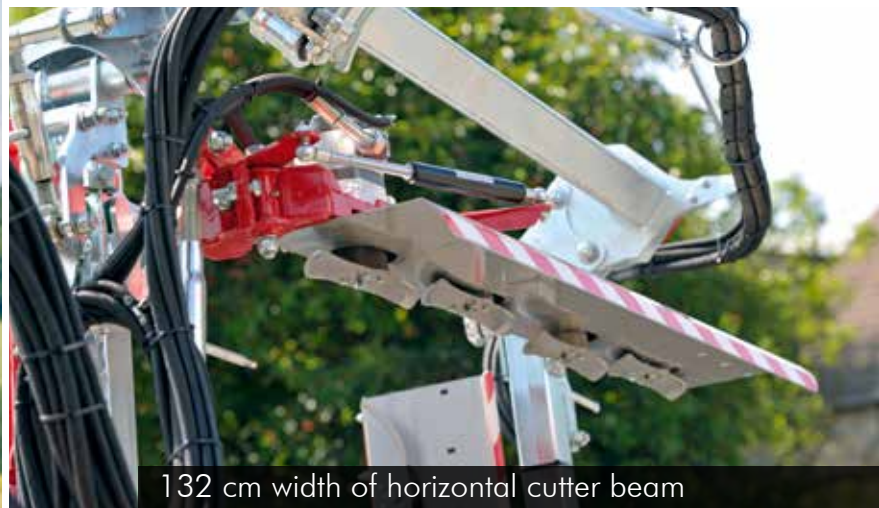
high-performance | precise | multifunctional



Vine training systems such as minimal pruning and simple cordon require a trimmer with special features. For trimming foliage up to 115 cm wide, ERO has developed the ELITE Profi Line Simple Cordon Trimmer. The cutting width (distance between vertical cutter beams) can be adjusted from 15 cm up to 115 cm. The vertical cutting beams have three angle adjustments each. The shoot lifters, available as an option, also capture low-hanging shoots and ensure a perfect cut.



ELITE Profi Line simple cordon (115 cm cutting width)



132 cm width of horizontal cutter beam



Compact setting for road driving



Based on the trimmer model ELITE, ERO has reissued the successful leaf trimmer with cutter beam system. The cutting elements made of overlong, toothed blades guarantee a clean cut. The sickle knife ELITE trimmer provides the adjustment features and comfort of the other ELITE models. Each of its cutting elements has a separate impact protection as standard.







ERO Trimmer ELITE Sickle Knife over-the-row one-sided

proved | precise | easy to operate



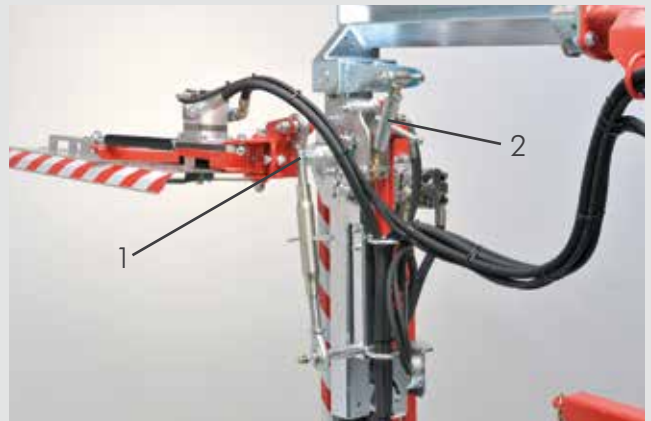
## Basic equipment



Impact protection on vertical and horizontal cutter beams by means of gas springs, automatic return.



Manual cutting-width adjustment (10 cm - 85 cm).



1 - Angle adjustment of the horizontal cutter beam  
2 - Lateral inclination of complete cutter set-up

### Stainless steel Turboknives

- Specially heat-treated knife steel prevents the build-up of cutting debris on the cutting edges (anti-stick effect)
- The surface quality is retained after sharpening (no coating)
- The curved cutting edge achieves a drawn, smooth cut
- The form of the knife prevents wires being wound up and cut
- Due to the suction effect of the knives, no cutting debris are left in the row, and even small shoots and leaves are removed
- The 35.5 cm long knives generate only low bearing loads, and the trimmer can be mounted close to the tractor, which makes for a small turning circle. In addition, the risk of damage to the grape zone due to steering motions or rough ground is minimised
- Tested to DIN EN 706



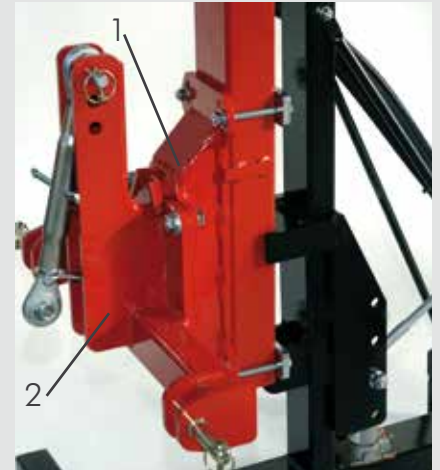


# Basic equipment



Lift with choice of 500 mm or 800 mm stroke (1.100 mm with 800 mm stroke is available as option)

- Double-acting internal cylinder has optimum protection against soiling
- Generous guiding surfaces prevent jamming when raising and lowering
- Pressure pads can be adjusted to eliminate play
- Universal for all ERO tools and for tools from other manufacturers, for example, an overrow shoot remover.



1 - Rigid lift mounting bar  
2 - Cat. I three-point mounting (option)



The 6 bar pressure limiting valve protects the engine of the trimmer from pressure peaks in the return flow, as well as from operating errors.



The lift and mounting bracket are also suitable for Binger Seilzug products.



Storage stand with height adjustment (ELITE "L" single-sided, ELITE "L" single-sided Comfort and ELITE single-sided over-the-row)



Storage stand (ELITE „L“ double-sided Comfort and ELITE over-the-row double-sided Comfort)



ELITE Profi Line on storage stand



# Options



Shoot lifter on lower cutter beam with one blade



Shoot lifter on lower cutter beam with two blades

Shoot lifter to collect low-hanging shoots

- Height and angle of shoot lifter is adjustable in relation to bottom-cutter
- Drive is from the trimmer hydraulic circuit – no additional control element required
- Using the optional flow divider, the speed of rotation of the shoot lifter can be individually adjusted
- Depending on the tractor and/or the ELITE model, the shoot lifters may be powered by the tractor hydraulics



Hydraulic width-adjustment: a range of heads permit trimming of row widths from 1.38 m to 3.50 m.



Hydraulic cutting-height adjustment, 40 cm



Hydraulic lateral shift, 40 cm



Hydraulic cutting width adjustment (over-the-row version), 10 cm - 85 cm cutting width, ELITE Profi Line simple cordon 15 cm - 115 cm cutting width



# Options



Z-Linkage for shifting the cutter set-up in front of the tractor. Necessary when driving out of short rows, enables the cutting of different line widths and improves field view for road driving.



Horizontal cutter beam with four blades, cutting width 115 cm, for strong canopies (basic equipment on ELITE Profi Line simple cordon)



Z-Linkage, reinforced version with two cylinders, required for ERO trimmer ELITE over-the-row one-sided starting from a cutting length of 185 cm.



Lift mounting bar with hydraulic inclination (54°)



Support device for hydraulic lift with reinforced hydraulic lateral inclination (54°, two cylinders)



The illustrations show special equipment.



# Options



Comfort Controller with joystick operation (suitable only for ELITE trimmers)

- Operation of up to eight double-acting functions (depending on version) and one single-acting function (trimmer drive) using solenoid valves
- Standard equipment: hydraulic hoses with threaded fittings
- Hydraulic couplings are an option



Oil cooler for installation in the pressure-free return line



Reversing valves:  
ERO offers several reversing valves for operation of divers double-acting functions using an existing double-acting control valve on the tractor.



## Hydraulic unit

with 26 cm<sup>3</sup> or 36 cm<sup>3</sup> pump.  
41 l/min or 50 l/min flow rate (depending on version), 100 l hydraulic oil filling quantity, hydraulic oil cooler, flow regulator, thermal switch for cooler fan, oil level and temperature display.



# Options



## Trolley for all ERO and BINGER attachments

### Technical Data:

- Overall width (track axis) adjustable from 1.00 m to 1.40 m
- Wheelbase adjustable from 1.00 m to 1.35 m
- Tyres fitted: 15x6.00-6 (Ø: 368, width: 154, rim dia.: 6")
- Three-point mounting, Cat. I
- Weight: 220 kg
- Payload: 1,000 kg
- Pivoted axle (can be blocked for parking and running on paved roads)
- Max. pivot motion of axle is adjustable with rubber buffers
- Frame length adjustable in stages with latching to suit all attachments
- Can also be used for Binger Seilzug products

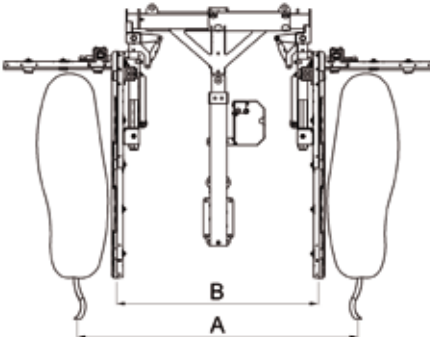


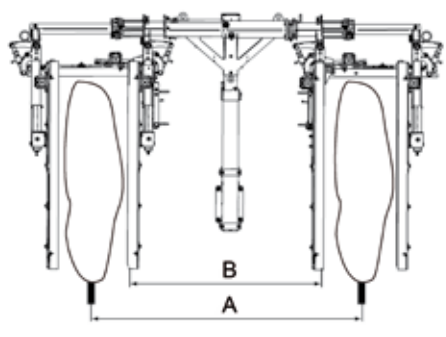
Cut protection for Trimmer on trolley, complete and mounted

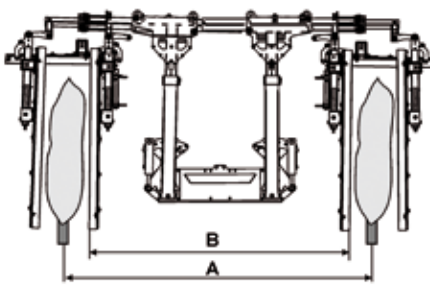


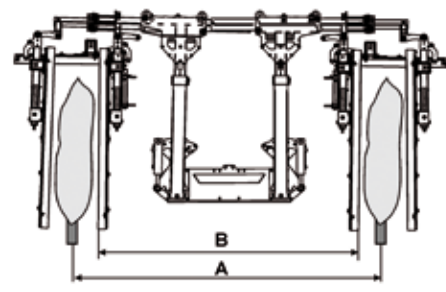
# Heads and base-plates

For double-sided ERO ELITE Trimmers, there is a choice of heads and base-plates (ELITE Profi Line) to suit different row widths:

<b>ELITE double-sided „L“</b>	
	
Version of head piece	
<b>IV</b>	A: 1,38 m – 2,18 m B: 0,88 m – 1,68 m
<b>I</b>	A: 1,60 m – 2,70 m B: 1,10 m – 2,20 m
<b>V</b>	A: 1,60 m – 3,00 m B: 1,10 m – 2,50 m
<b>II</b>	A: 1,80 m – 3,00 m B: 1,30 m – 2,50 m
<b>VI</b>	A: 1,80 m – 3,50 m B: 1,30 m – 3,00 m
<b>III</b>	A: 2,10 m – 3,50 m B: 1,60 m – 3,00 m

<b>ELITE double-sided Overrow</b>	
	
Version of head piece	
<b>V</b>	A: 1,60 m – 3,00 m B: 1,10 m – 2,50 m
<b>III</b>	A: 2,10 m – 3,50 m B: 1,60 m – 3,00 m

<b>ELITE Profi Line</b>	
	
Version of base-plate	
<b>I</b>	A: 2,40 m – 3,20 m B: 1,90 m – 2,70 m
<b>II</b>	A: 2,50 m – 3,30 m B: 2,00 m – 2,80 m
<b>III</b>	A: 2,60 m – 3,40 m B: 2,10 m – 2,90 m

<b>ELITE Profi Line simple cordon</b>	
	
Version of base-plate	
<b>I</b>	A: 2,50 m – 3,30 m B: 1,90 m – 2,70 m
<b>II</b>	A: 2,60 m – 3,40 m B: 2,00 m – 2,80 m
<b>III</b>	A: 2,70 m – 3,50 m B: 2,10 m – 2,90 m

A = row width

B = cutting width



# Equipment and Options

Equipment		Model		ELITE					Profi Line	Profi Line simple cordon
				Single-sided „L“	Single-sided „L“ Comfort	Double-sided „L“ Comfort	Single-sided Overrow	Single-sided Overrow Comfort		
Manual	Width adjustment of cutters	-	-	✓	-	-	✓	-	-	
	Lateral shift of cutters	✓	✓	-	✓	✓	-	-	-	
	Lateral inclination of vert. cutter beams (30°)	✓	✓	✓	-	-	-	-	-	
	Cutting angle adjustment of vert. cutter beam	✓	✓	✓	✓	✓	✓	✓	✓	
	Angle adjustment of the horiz. cutter beam (90°)	✓	✓	✓	-	-	-	-	-	
	Cutting height adjustment of the horizontal cutter beam (40 cm)	✓	✓	✓	✓	✓	✓	✓	✓	
	Cutting width adjustment (15 cm - 85 cm)	-	-	-	✓	✓	✓	✓	-	
	Impact protection on horizontal and vertical cutter beams by means of gas springs with automatic return	✓	✓	✓	✓	✓	✓	✓	✓	
	Turboknives with Teflon effect provide suction and simultaneously repel wires	✓	✓	✓	✓	✓	✓	✓	✓	
	Automatic hole centring for simple mounting – can be installed on any type of tractor	✓	✓	✓	✓	✓	✓	✓	✓	
	Comfort Controller with joystick operation (suitable only for ELITE)	-	✓	✓	○	✓	✓	✓	✓	
Hydraulic	Width adjustment of cutters	-	-	○	-	-	○	-	-	
	Lateral shift of cutters (40 cm)	○	○	-	○	○	-	✓	✓	
	Lateral inclination of vert. cutter beams (30°)	○	○	○	-	-	-	-	-	
	Angle adjustment of the horiz. cutter beam (90°)	○	○	○	-	-	-	-	-	
	Cutting height adjustment of the horizontal cutter beam (40 cm)	○	○	○	○	○	○	○	○	
	Cutting width adjustment (15 cm - 85 cm / 215 cm - 115 cm)	-	-	-	○ <sup>1</sup>	○ <sup>1</sup>	○ <sup>1</sup>	○ <sup>1</sup>	✓ <sup>2</sup>	
	Cutting width 115 cm, horizontal cutter beam with four blades	○	○	○	-	-	-	-	✓	
	Z-Linkage (requires additional controller)	○	-	-	○	○	-	-	-	
	Z-Linkage, reinforced version with two cylinders (requires Comfort Controller) Lift 800 mm, double acting	-	-	-	○	○	-	-	-	
	Bottom-cutter knife with additional hydraulic motor, manually adjustable 0 - 45° (incl. 32 cm cutter beam extension)	○	○	○	○	○	○	○	○	
	Shoot lifter	○	○	○	○	○	○	○	○	
	Lift 800 mm (standard), double acting Installed length: 850 mm, stroke: 500 mm	✓	✓	✓	✓	✓	✓	2 x 800 mm	2 x 800 mm	
	Lift 500 mm (for hood mounting), Installed length: 850 mm, stroke: 500 mm	●	●	●	●	●	●	-	-	
	Lift 1 100 mm Installed length: 1,500 mm, stroke: 800 mm	○	○	○	○	○	○	○	○	
	Rigid mounting bar	✓	✓	✓	✓	✓	✓	-	-	
	Mounting bar for lift with hydraulic lateral inclination through 54° (27° to the left and 27° to the right)	○	○	○	○	○	○	✓	-	
	Mounting bar for lift with hydraulic lateral inclination through 54° (27° to the left and 27° to the right) reinforced, with two cylinders	○	○	○	○	○	○	-	✓	
	Storage frame	-	-	✓	-	-	✓	-	-	
	Storage frame with height adjustment	✓	✓	-	✓	✓	-	✓	✓	
	Trolley	-	-	○	-	○	○	○	○	

✓ = Standard equipment    ○ = Option    - = Not available



Sales partner:



ERO GmbH  
Vineyard Equipment  
Am ERO-Werk  
55469 Simmern  
Germany  
Tel.: +49 6761-9440-0  
Fax: +49 6761-9440-1099  
mail@ero.eu  
www.ero-viti.com

04/2018-FZ00602

Details and illustrations should be considered to be approximate. The products illustrated sometimes include special equipment which is not part of the standard version.  
We reserve the right to make technical and design changes.



www.Weirich-PR.de